



Fall Protection

3M™ DBI-SALA® Global Davit Systems



Experts in confined space entry, retrieval and fall protection.

Confined spaces can be below or above ground and are found on most job sites. Workers are at risk for injuries or fatalities while performing their daily work in confined spaces.

Confined spaces have limited openings for entry and exit which complicates rescue/retrieval and other emergency response services. These often dangerous work environments are enclosed or partially enclosed and not designed or intended for long-term human occupancy. A restrictive confined space can represent health and safety risks to anyone who enters.

3M™ Fall Protection ISO 9001-2000 certification drives superior engineering and quality manufacturing. Our design and engineering teams excel at finding the best way to help keep workers safe and comfortable.

Combining experience and knowledge with state-of-the-art outdoor and indoor testing procedures, we produce some of the most technologically advanced safety equipment in the world.

Contents

Industry Experience	2
ABCs of fall protection	4 - 5
Davit Arm System & Components	6 - 7
Adjustable Offset Davits / Upper & Lower Masts	8 - 9
Portable & Fixed Bases	10 - 11
Counterweight Systems	12
Vehicle Hitch Mount Sleeve System	13
Winch Brackets & Accessories	14
Personal Protective Equipment	15

3M™ DBI-SALA® Davit Arm Systems

3M™ DBI-SALA® Davit Arm Systems are designed for manhole and confined space entry/retrieval applications.

These units are constructed of lightweight materials including high-strength aluminium. The davit pivots for ease-of-rescue and has adjustment for overhead clearance restrictions. The lower base adjusts to fit most standard entries. Many other portable and fixed bases are available to suit any jobsite need.

Standards

Davit Arm Systems complies with:

- OSHA 29 CFR 1910.140 and 1926.502 (Fall arrest for 2 users).
- EN 795 'TYPE B', 2012 (Portable anchorage point).
- CEN/TS 16415:2013 'TYPE B' (Fall arrest for 2 users).
- EN1496:2006 'CLASS B' (Rescue).
- Machine Directive 2006/42/CE § 6 (Load lifting).



Fall Protection

ABCs of fall protection.

A typical Personal Fall Arrest System incorporates key components often described as the ABCs of fall protection.



Anchorage

Anchorage are a secure point of attachment.

Anchorage connectors vary by industry, job, type of installation and structure. They must be able to hold under the load of a fall, working in suspension or a rescue.

A

+



Body support

Harnesses distribute fall forces over the upper thighs, pelvis, chest and shoulders.

They provide a connection point on the worker for the personal fall protection system.

B

+



Connecting devices

Products such as shock absorbing lanyards or self-retracting lifelines connect a worker's harness to the anchorage.

C

The (A) anchorage/anchorage connector, (B) body support and (C) connecting device - when used together - form a complete system for maximum worker protection. But don't forget the other important components of a comprehensive fall protection program: (D) descent and rescue, (E) education and (F) fall protection for tools.



Descent and rescue

Descent and rescue devices are used to raise or lower a fallen or injured worker to safety or retrieve them from a confined space.

D



Education

We offer a variety of best-in-class certified training courses for work at height and confined spaces at our state-of-the-art training centers located around the world.

We can also bring training to your workforce with our specialized demonstration vehicle providing an excellent introduction to fall protection.

E



Fall protection for tools

3M™ DBI-SALA® Fall Protection for Tools helps make work environments safer and more productive by reducing dropped object incidents.

F

+

+

+

3M™ DBI-SALA® Davit Arm

- Full versatility of head and arm extension regardless of the front / back mounted SRL / winch
- 2 devices (SRL / winch) can be fixed on the davit
- 2 user rated for fall arrest
- Rated for personal fall protection and material handling
- Suitable for rescue with rescue winch or 3-way retrieval SRD

A Fall Arrest Anchorage

Davits offers 4 anchor points.

- 2 anchor points for direct connection with fall arrest PPE.
- 2 guided cable lifelines from a 3M™ mounted SRL.

B One Front and One Back Cable Lifeline Guide

In addition to being a fall arrest anchorage, the 2 guided cable lifelines serve as:

- Rescue line with a mounted 3M™ DBI-SALA® rescue winch or 3M™ SRL with built-in rescue winch.
- Raising / lowering line for people or load with a mounted 3M™ DBI-SALA® man and load-riding digital winch.

C Winch and SRL Options

Winch and SRL can be mounted on the mast with appropriate bracket.

Adjustable Reach and Height

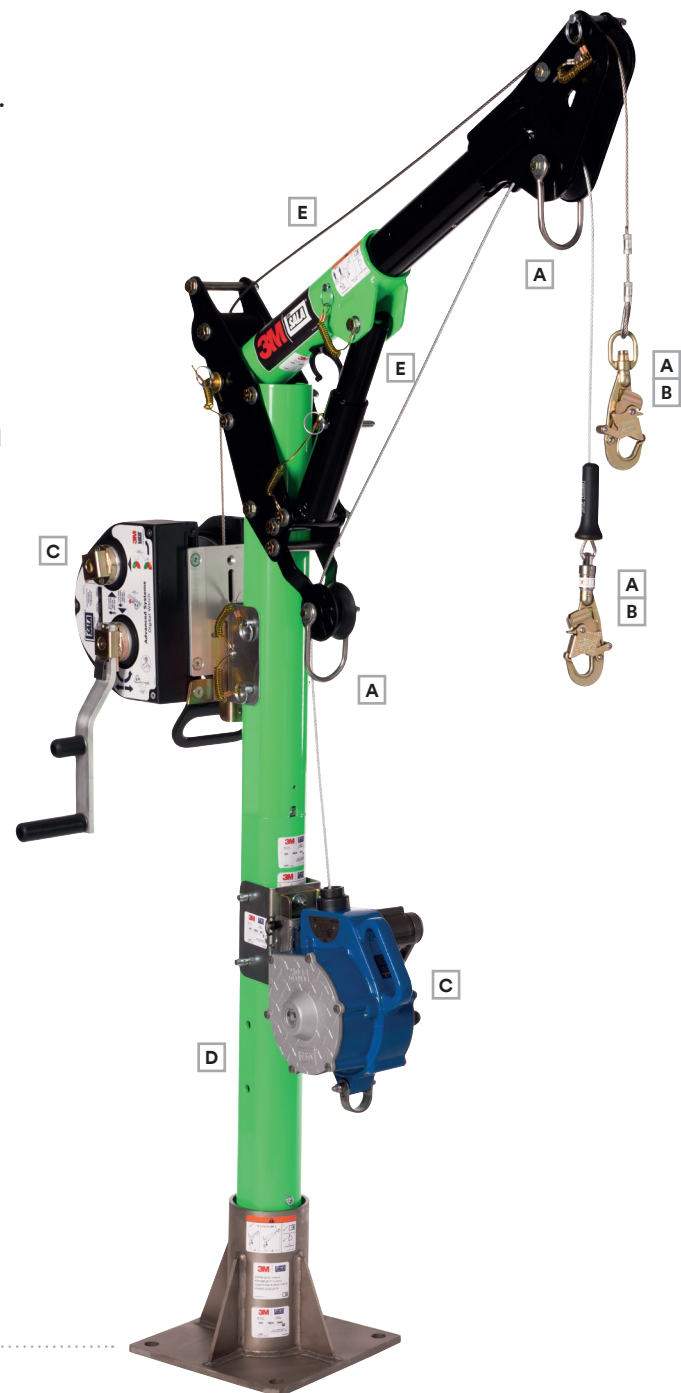
D Selection of one of the 4 davit mast extension options allows the user to select the best height setting for the operating environment.

E Multiple pins position of the gusset arm and head allows the user to adjust the best reach and height needed for the application.

Possibility of maximum height of anchorage point is 114.57 in. (2.91 m).

Base Options

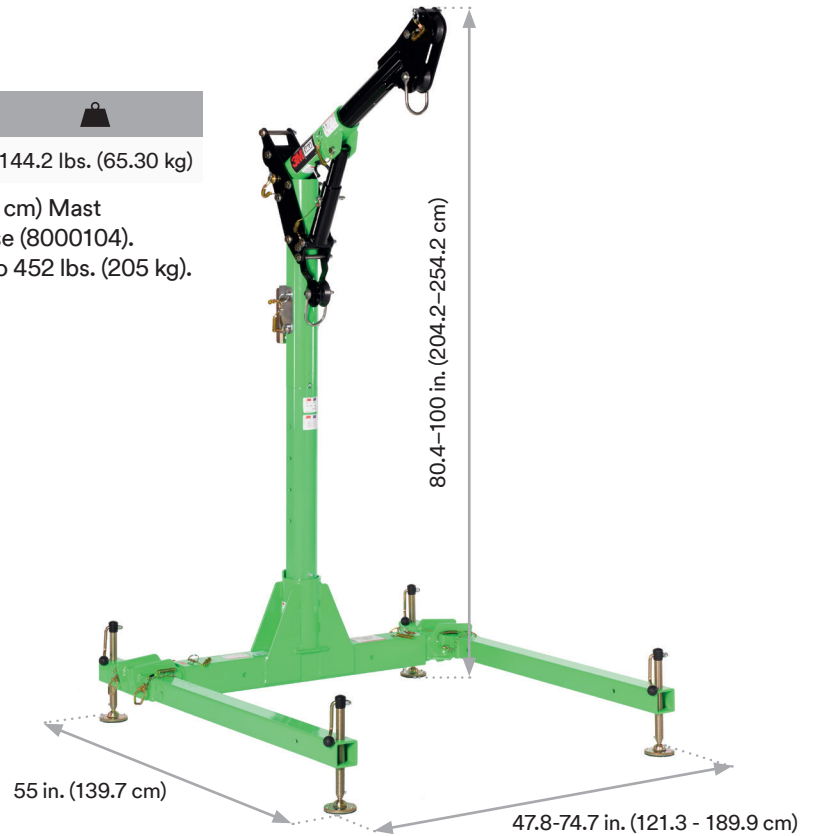
Fixed and portable options available.



3M™ DBI-SALA® 5 Piece Short Reach Davit

	←.....→	⚖️
8000118	S	144.2 lbs. (65.30 kg)

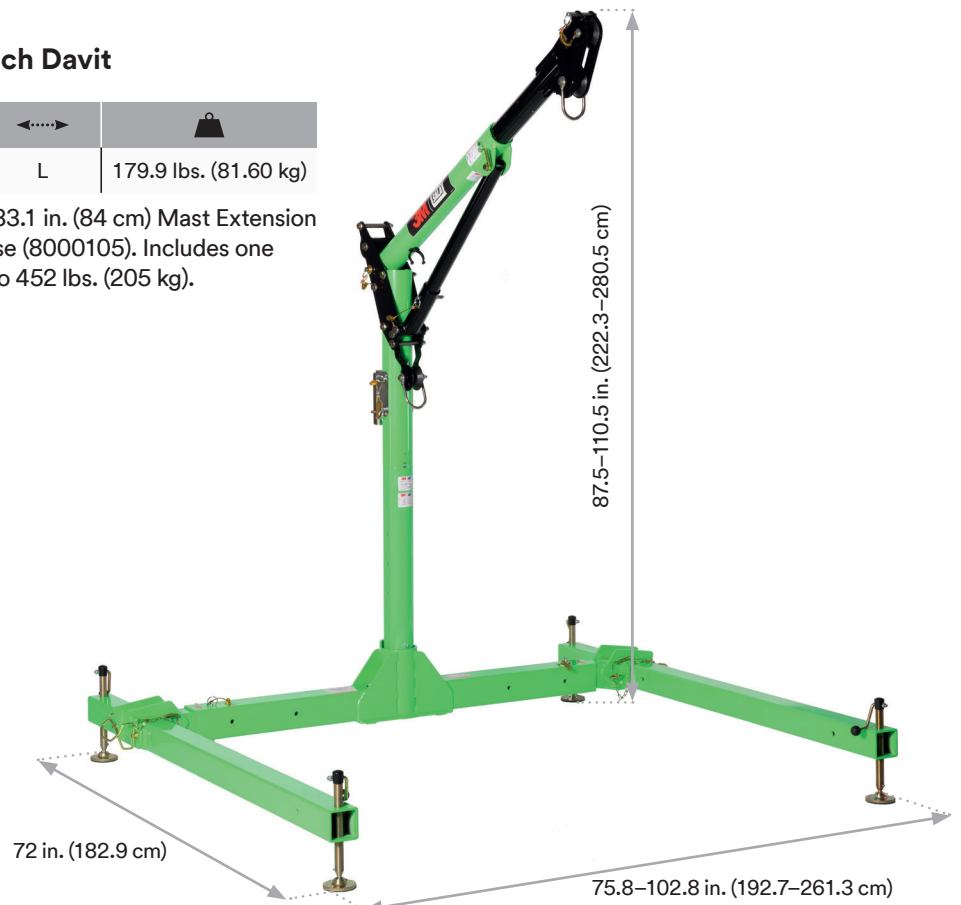
Includes Short Reach Davit Arm (8000107), 33.1 in. (84 cm) Mast Extension (8000113) and Short Reach 3 Piece Davit Base (8000104). Includes 1 winch mounting bracket. Material lift rated to 452 lbs. (205 kg).



3M™ DBI-SALA® 5 Piece Long Reach Davit

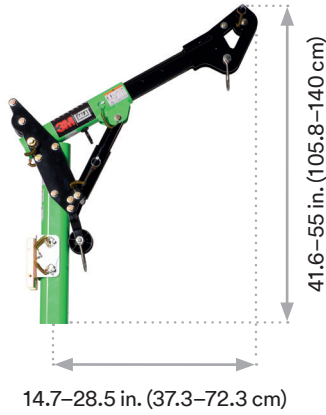
	←.....→	⚖️
8000119	L	179.9 lbs. (81.60 kg)

Includes Long Reach Davit Arm (8000108), 33.1 in. (84 cm) Mast Extension (8000113) and Long Reach 3 Piece Davit Base (8000105). Includes one winch mounting bracket. Material lift rated to 452 lbs. (205 kg).



3M™ DBI-SALA® Adjustable Offset Davits / Upper & Lower Masts

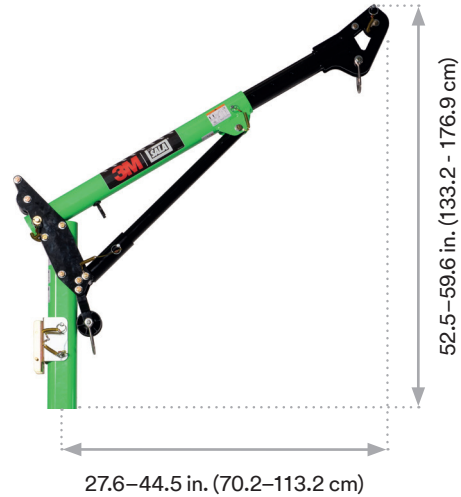
3M™ DBI-SALA® Short Reach Davit Arm (14" - 28")



	↔	⚖
8000107	S	36.4 lbs. (16.50 kg)

Includes Short Reach Offset Arm (8000110) and Universal Lower Mast (8000109).

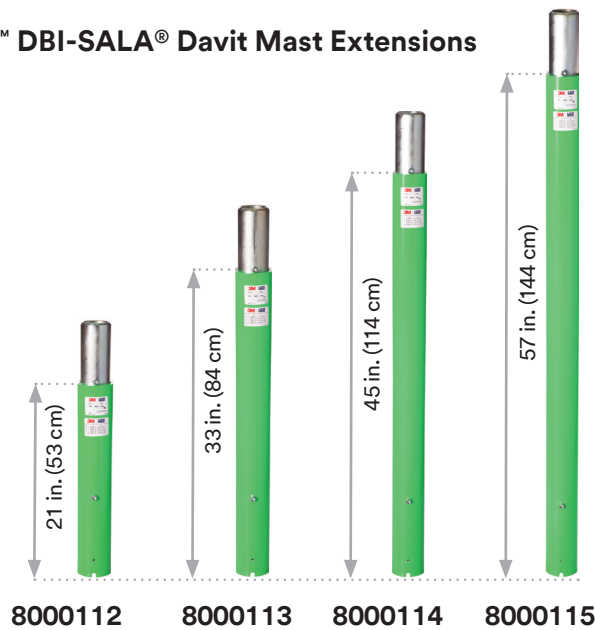
3M™ DBI-SALA® Long Reach Davit Arm (27" - 44")



	↔	⚖
8000108	L	42.3 lbs. (19.20 kg)

Includes Long Reach Offset Arm (8000111) and Universal Lower Mast (8000109).

3M™ DBI-SALA® Davit Mast Extensions



	↔	⚖
8000112	21 in. (53 cm)	18.5 lbs. (8.40 kg)
8000113	33 in. (84 cm)	24.0 lbs. (10.90 kg)
8000114	45 in. (114 cm)	29.3 lbs. (13.30 kg)
8000115	57 in. (144 cm)	34.6 lbs. (15.70)

Only one mast extension allowed for short reach or long reach davit arm.

3M™ DBI-SALA® Adjustable Offset Davits / Upper & Lower Masts

3M™ DBI-SALA® Short Reach Offset Arm (14" - 28")



	↔	⚖
8000110	S	14.1 lbs. (6.40 kg)

3M™ DBI-SALA® Long Reach Offset Arm (27" - 44")



	↔	⚖
8000111	L	20.1 lbs. (9.10 kg)

3M™ DBI-SALA® Universal Lower Mast



	↔	⚖
8000109	Universal	22.3 lbs. (10.10 kg)

Includes one winch mounting bracket.

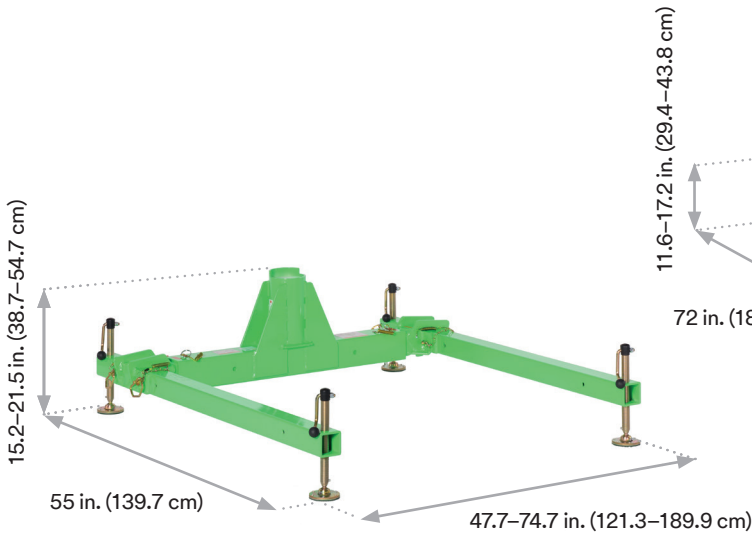
3M™ DBI-SALA® Confined Space Anodized Long Reach Davit Arm (27" - 44")



	↔	⚖
8000135	L	20.1 lbs. (9.10 kg)

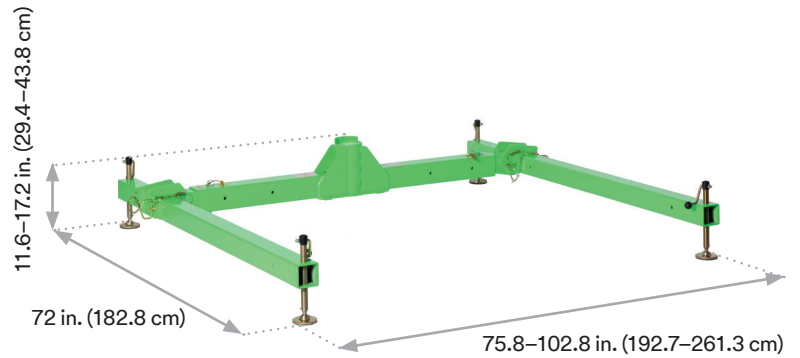
Anodized long reach davit arm for applications that don't permit use of powder coated or painted products.

3M™ DBI-SALA® 3 Piece Short Reach Davit Base



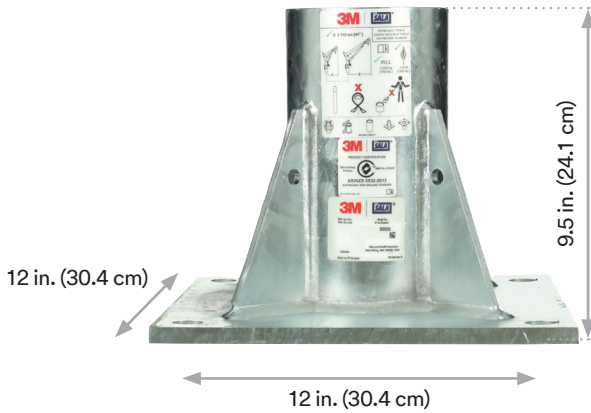
	↔	⚖
8000104	S	82.7 lbs. (37.50 kg)

3M™ DBI-SALA® 3 Piece Long Reach Davit Base



	↔	⚖
8000105	L	111.3 lbs. (50.5 kg)

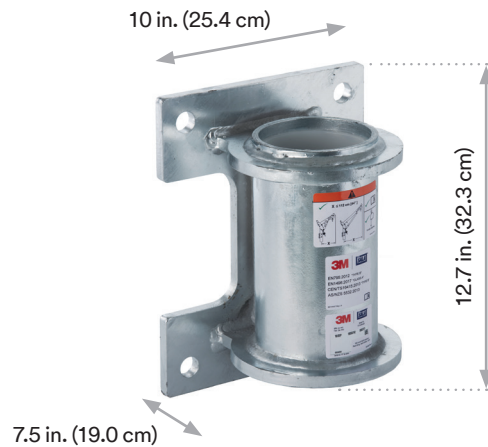
3M™ DBI-SALA® Floor Mount Base



	Description	⚖
8000095	Galvanized steel	34.4 lbs. (15.60 kg)
8000096	Stainless steel - 304	34.4 lbs. (15.60 kg)

Mounts to horizontal concrete or steel structure. Comes with PVC sleeve liner. Material lift rated to 750 lbs. (340 kg).

3M™ DBI-SALA® Wall Mount Base



	Description	⚖
8000101	Galvanized steel	34.6 lbs. (15.70 kg)
8000102	Stainless steel - 304	34.6 lbs. (15.70 kg)

Compact design creates minimum intrusion into work space. Mounts to vertical concrete or steel structures. Comes with PVC sleeve liner. Material lift rated to 750 lbs. (340 kg).

3M™ DBI-SALA® Flush Core Mount Base

	Description	⚖️
8000089	Galvanized steel	11.9 lbs. (5.40 kg)
8000090	Stainless steel - 304	11.4 lbs. (5.20 kg)

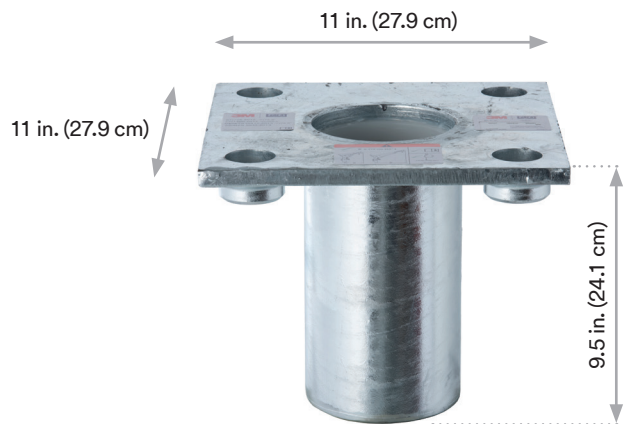
Designed for slip-in installation into a 5.06 in. (128.5 mm) core hole in concrete. Comes with PVC sleeve liner. Material lift rated to 750 lbs. (340 kg).



3M™ DBI-SALA® Flush Core Mount Base with Top Plate

	Description	⚖️
8000091	Galvanized steel	27.3 lbs. (12.40 kg)
8000092	Stainless steel - 304	26.8 lbs. (12.20 kg)

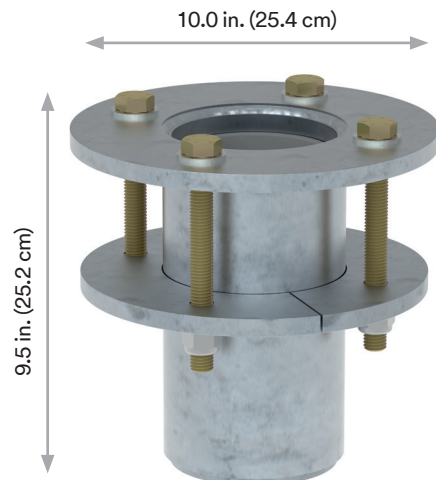
Recessed fastener pockets allow for bolt-in installation into existing concrete. Flush mount design allows passage of traffic and reduces trip hazards when not in use. Comes with PVC sleeve liner. Material lift rated to 750 lbs. (340 kg).



3M™ DBI-SALA® Deck Mount Base

	Description	⚖️
8000099	Galvanized steel	32.2 lbs. (14.60 kg)
8000100	Stainless steel - 304	32.0 lbs. (14.50 kg)

Designed to slip into a 5.06 in. (128.5 mm) hole in existing steel structure flooring. Comes with the necessary hardware to mount to structures with a maximum thickness of 3.50 in. (89 mm). Comes with PVC sleeve liner. Material lift rated to 750 lbs. (340 kg).



The 3M™ DBI-SALA® Counterweight System comprises a central counterweight cart with wheels connected by a bar to the davit base.

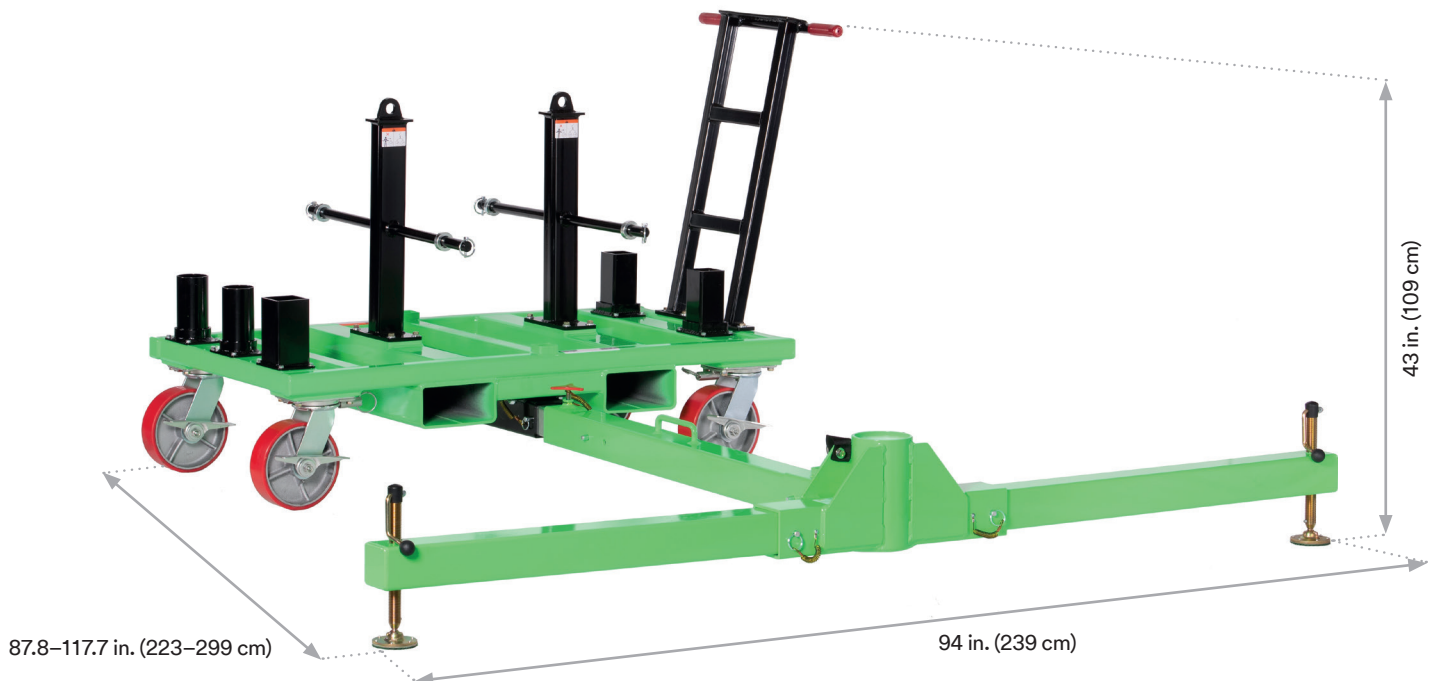
Despite its weight, the unit can be easily moved to different locations within a facility, with all components of the system being placed vertically on the cart.

Note: Individual weight plates not included - see below for more info.

3M™ DBI-SALA® Counterweight Base with Cart

8000106	531.3 lbs. (241.0 kg)

- Compatible with short and long reach davit arms
- Requires a quantity of 20 (for short reach) or 36 (for long reach) 45 lb. weight plates (purchased by customer)
- All base components required included
- Built-in forklift pocket and lifting rings for easy transport
- Horizontal weight arrangement is more ergonomic and safe
- Mast / davit storage included
- Swivel lock and brake wheels
- Material lift rated to 452 lbs. (205 kg)



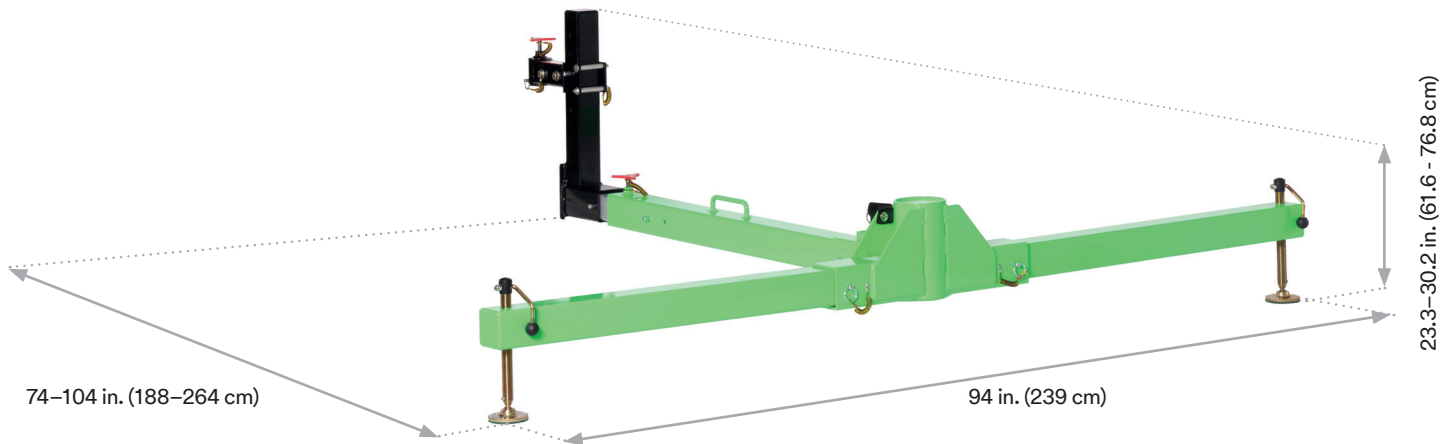
3M™ DBI-SALA® Vehicle Hitch Mount Sleeve System

The 3M™ DBI-SALA® Vehicle Hitch Mount Sleeve is designed to connect to an attendant vehicle with a hitch ball coupler to provide a portable anchor point for confined space entry/retrieval, rescue and fall-arrest systems.

3M™ DBI-SALA® Vehicle Hitch Mount Base

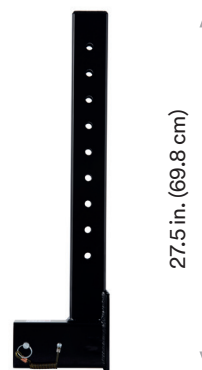
	
8000103	90.0 lbs. (40.80 kg)

- Compatible with short and long reach davit arm
- All base components required and hitch ball coupler included
- Compatible with 50mm, 1 7/8", 2" hitch ball receivers
- Full length adjustable
- All aluminium components for lightweight
- Adjustable screw feet
- 8000116: Replaces standard supplied part for vehicles with high hitch attachment (for example: trucks)
- Material lift rated to 452 lbs. (205 kg)



3M™ DBI-SALA® Extended Height Vehicle Hitch Adjustment

	
8000116	8.8 lbs. (4.00 kg)



3M™ DBI-SALA® Cap for Bases



3M™ DBI-SALA® Base Adaptor 3”/4”



8000124



8000134

	Description	
8000121	Acetal plastic	1.5 lbs. (0.70 kg)

Allows to close and seal fixed base openings.
Non protruding surface. Easy to lift out with foldable ring.

	Description	
8000124	Adaptor allows for use of ONLY SHORT reach new global davit with legacy 3M™ DBI-SALA® Advanced Davit 3” FIXED bases.	23.6 lbs. (10.70 kg)
8000134	Adaptor allows use of SHORT AND LONG REACH davit of legacy 3M™ DBI-SALA® Advanced Davit with new global davit FIXED bases.	3.1 lbs. (1.40 kg)

3M™ Personal Protective Equipment (PPE).

3M is passionate about protecting the health and safety of workers in all types of industries and workforce environments.

This passion helps drive us to continue to innovate across technologies, disciplines, and industries to help keep your workers safe and protected.

We strive to deliver comfortable, well-designed personal protective equipment (PPE) that offers your workers the most effective protection available. You can buy 3M Safety PPE, confident in the knowledge that 3M is working hard to provide products that your employees will feel good about wearing.

For more information visit: www.3M.com

Eyewear



Hearing



Fall Protection



Scotchlite™



Respiratory



Protective apparel



Welding



Head & Face



Your Partner in Safety

The highly trained professionals at 3M educate, train and provide extensive long term support in fall protection products to ensure that all aspects of your fall protection program are successful.

Choose 3M™ DBI-SALA® Products - your one-stop for the most comprehensive collection of innovative fall protection products for any confined space application!

All 3M Fall Protection's Systems and Anchor Products fully meet or exceed every key safety standard required.



The mounting and use of the product described within this document assumes that the user has previous experience of this type of product and that it will be assembled by a competent professional according to product documentation. Before any use of this product it is recommended to complete some trials to validate the performance of the product within its expected application. All information and specification details contained within this document are inherent to this specific 3M product and would not be applied to other products or environment. Any action or usage of this product made in violation of this document is at the risk of the user.

Compliance to the information and specification relative to the product contained within this document does not exempt the user from compliance with additional guidelines (safety rules, procedures). Compliance to operational requirements especially in respect to the environment and usage of tools with this product must be observed. The 3M Group (who cannot verify or control these elements) would not be held responsible for the consequences of any violation of these rules which remain external to its decision and control.

Warranty conditions for products are determined with the sales contract documents and with the mandatory and applicable law, excluding any other warranty or compensation.

▲ WARNING

Compliant fall protection and emergency rescue systems help prevent serious injuries associated with fall events. Users must read and understand the User Instructions provided with the product, and must be properly trained by their employers in the safe use of these systems before using them, per OSHA 1910.140 and 1926.503 or applicable local standards. Misuse or failure to follow warnings and instructions may result in serious personal injury or death. For proper use, see supervisor, User Instructions, or call 800-328-6146 (Opt. 1).

Product Selection and Use: Many factors beyond 3M's control and uniquely within user's knowledge and control can affect the use and performance of a 3M product in a particular application. As a result, customer is solely responsible for evaluating the product and determining whether it is appropriate and suitable for customer's application, including conducting a workplace hazard assessment and reviewing all applicable regulations and standards (e.g., OSHA, ANSI, etc.). Failure to properly evaluate, select, and use a 3M product in accordance with all applicable instructions and with appropriate safety equipment, or to meet all applicable safety regulations, may result in injury, sickness, death, and/or harm to property.

Warranty, Limited Remedy, and Disclaimer: Unless a different warranty is specifically stated on the applicable 3M product packaging or product literature (in which case such warranty governs), 3M warrants that each 3M product meets the applicable 3M product specification at the time 3M ships the product. 3M MAKES NO OTHER WARRANTIES OR CONDITIONS, EXPRESS OR IMPLIED, INCLUDING, BUT NOT LIMITED TO, ANY IMPLIED WARRANTY OR CONDITION OF MERCHANTABILITY, FITNESS FOR A PARTICULAR PURPOSE, OR ARISING OUT OF A COURSE OF DEALING, CUSTOM, OR USAGE OF TRADE. If a 3M product does not conform to this warranty, then the sole and exclusive remedy is, at 3M's option, replacement or repair of the 3M product or refund of the purchase price. Warranty claims must be made within one (1) year from the date of 3M's shipment.

Disclaimer: 3M industrial and occupational products are intended, labeled, and packaged for sale to trained industrial and occupational customers for workplace use. Unless specifically stated otherwise on the applicable product packaging or literature, these products are not intended, labeled, or packaged for sale to or use by consumers (e.g., for home, personal, primary or secondary school, recreational/sporting, or other uses not described in the applicable product packaging or literature), and must be selected and used in compliance with applicable health and safety regulations and standards (e.g., U.S. OSHA, ANSI), as well as all product literature, user instructions, warnings, and limitations, and the user must take any action required under any recall, field action or other product use notice. Misuse of 3M industrial and occupational products may result in injury, sickness, or death. For help with product selection and use, consult your on-site safety professional, industrial hygienist, or other subject matter expert. For additional product information, visit www.3M.com.



3M Fall Protection

3833 SALA Way
Red Wing, MN 55066 USA
Phone: 800.328.6146
Email: 3mfallprotection@mmm.com
Web: 3M.com/FallProtection

©3M 2025
3M, Protecta, DBI-SALA, Sealed-Blok,
and Scotchlite are trademarks of
3M Company. All rights reserved.